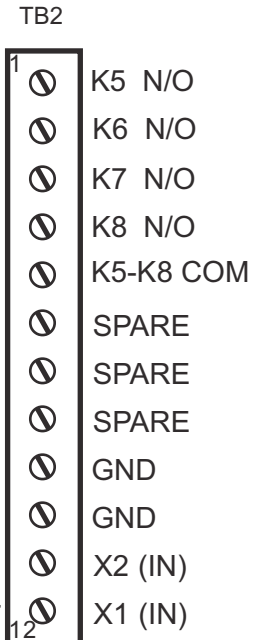
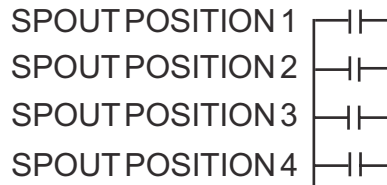
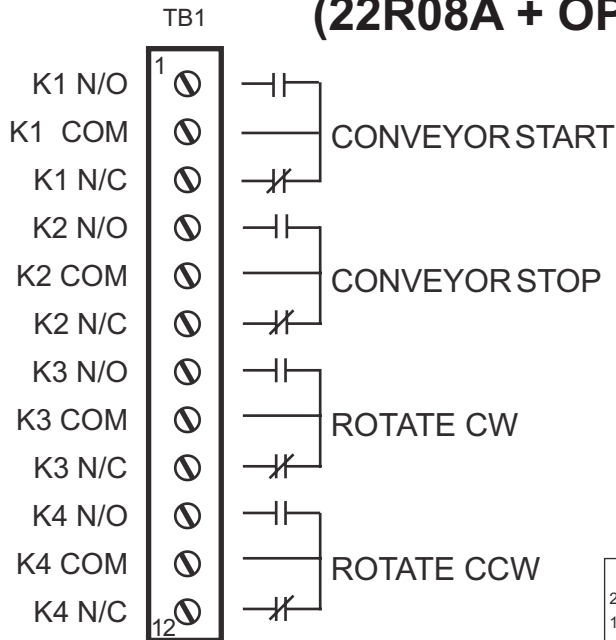


CONFIGURATION SHEET (22T10A)

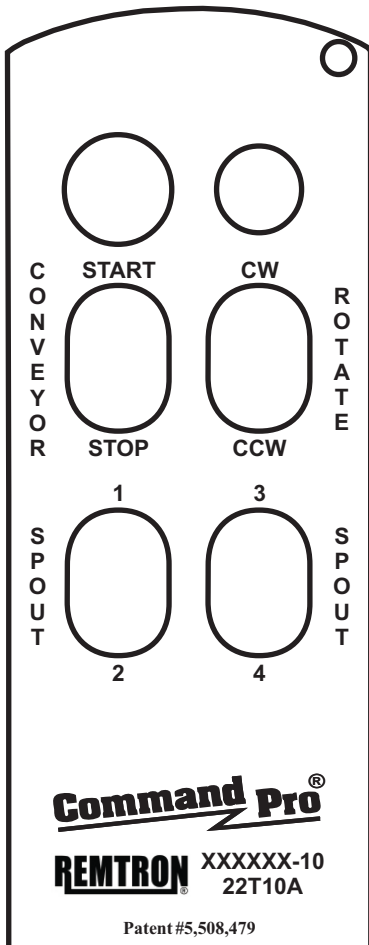
(22R08A + OPT303 + OPT313)



NOTE:
24VAC, 12VDC, 24VDC USE .750A FUSE
115VAC, 230VAC USE .250A FUSE



USE 12-28 AWG SOLID OR STRANDED COPPER WIRE



NOTES: 50QT000660 PROPOSED LAYOUT

ENG. # TBD (120VAC RECEIVER)

ALL MOMENTARY OUTPUTS

UTILITY MODE SYSTEM



MODEL 22T OCU PUSH BUTTON CONTROLLER

Four momentary Rockers 1-Speed +2 push buttons



Specifications

Applications

Crane, hoist, machine

Industries

Industrial

Product Line

Remtron Command Pro